



SZ Stock Code: 300066



**Sanchuan Wisdom Technology Co., Ltd.**



**THE HIGHEST GOOD IS LIKE WATER  
SPUR WITH LONG ACCUMULATION**



# CONTENTS

<b>Company History</b> .....	4
<b>Why choose Sanchuan?</b> .....	5
<b>5G Smart Digital Factory</b> .....	5
<b>Certification</b> .....	6
<b>Quality Control</b> .....	7
<b>U540</b> Ultrasonic Water Meter.....	8
<b>U550</b> Ultrasonic Water Meter.....	9
<b>U550</b> Ultrasonic Bulk Water Meter.....	10
<b>LXSZK</b> Prepaid Card Water Meter .....	12
<b>LXSFW-WC</b> Non-magnetic Smart Water Meter .....	13
<b>LXSF-WC STS</b> Prepaid Water Meter .....	14
<b>LXSG-E5</b> Multi-Jet Dry Dial Water Meter.....	15
<b>HP5D</b> Bulk Water Meter - Woltman Meter .....	16
<b>H4200</b> Bulk Water Meter - Woltman Meter .....	17
<b>LXH</b> Rotary Piston Water Meter - Volumetric Meter .....	18
Remote Reading Module for Volumetric Water Meter .....	19
<b>E550</b> Electromagnetic Water Meter .....	20
<b>Sanchuan's Case</b> .....	21

# COMPANY HISTORY

**1971**

Started up as Yingtan Water Meter Factory



**2013**

The sole National Certified Enterprise Technology Lab



**2010**

Listed in Shenzhen Stock Exchange



**2000**

Begin to produce smart water meter



**2016**

The world-first NB-IoT water meter deployed in Melbourne



**2024**

15M+ units NB-IoT Water Meters deployed



**2024**

The world-leading 5G smart digital factory start production



**50+**

Years Production Experience

**1200+**

Employees

**200+**

Senior Engineers

**10M+**

Annual Production Capacity

**1400+**

Water Utility Customers

**1.4B+**

Turn Over/CNY

**518** Patents

**419** Software Copyright

**68**

National&Industrial Standard

# WHY CHOOSE SANCHUAN?

## Industrial Experience:

Founded in 1971, **the first** listed company specialized in water meter in China, **the first** water meter company that deploys NB-IoT smart water meter in large scale;

## Professional Capability:

National Enterprise Certificate Center (the only one in water meter industry), 10 Million+ smart water meter **production capability**, professional production process, equipment;

## International Compliance:

Our company has achieved various **international certifications** covering production processes, water meter accuracy, and quality management systems. Such as ISO 9001, MID, CE, OIML R49, etc.



## 5G SMART DIGITAL FACTORY



# CERTIFICATION

CNAS ISO17025



MID



MID



OIML R49



NMI



WaterMark



WRAS



ISO9001



ISO14001



ISO10012



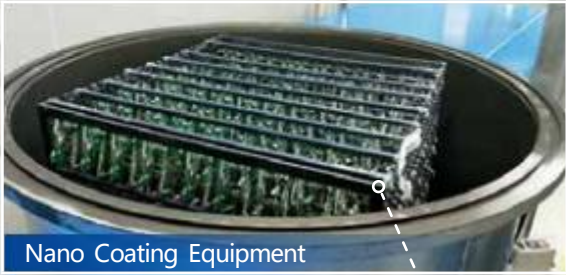
ISO45001



SA8000



# QUALITY CONTROL



Nano Coating Equipment



Nano Coating Comparison

SMT Machine for PCB



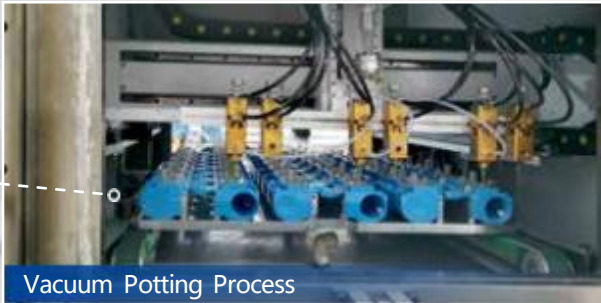
Smart Water Meter Workshop



Dust-free Workshop



CNAS Lab



Vacuum Potting Process

Vacuum Potting Equipment

# U540

## Ultrasonic Water Meter

# 小 SANCHUAN



### FEATURES

- DN 15 to 25, dynamic range optional for R200/250/315/400.
- IP68 suitable for outdoor installations
- Remote meter reading via NB-IoT
- Display with error and alarm codes including leakage detection
- Battery lifetime up to 10 years
- U0 / D0, easy to install

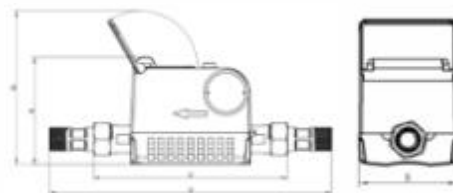
### GENERAL INFORMATION

U540 ULTRASONIC WATER METER	
Executive standards	ISO4064:2014, OIML R49:2013, EN14154:2005
Ambient operating temperature	°C -5 ~ 55
Medium temperature range	°C 0.1 ~ 50
Ambient humidity	RH 0 ~ 100 (at temperature 40° C)
Environmental class	O (Outdoors)
Meter body material	SS316L
Nominal pressure	MAP bar 10/16 optional
Power supply	3.6V DC lithium batteries
Battery lifetime*	Up to 10 years
Communication Module	NB-IoT
Protection class	IP68

\* Depends on local signal strength, configured online frequency each day and the ambient temperature at the installation.



### DIMENSION



### TECHNICAL DATA

Model Name			LXCY-15K		LXCY-20K		LXCY-25K	
Nominal Diameter	DN	mm	15	15	20	20	25	25
Permanent flow rate	Q <sub>s</sub> *	m <sup>3</sup> /h	2.5	2.5	4.0	4.0	6.3	6.3
Minimum flow rate	Q <sub>i</sub>	L/h	6.25	10	10	16	15.75	25.2
Dynamic (Q <sub>s</sub> /Q <sub>i</sub> )	R		400	250	400	250	400	250
Overload flow rate	Q <sub>e</sub>	m <sup>3</sup> /h	3.125	3.125	5	5	7.875	7.875
Transitional flow rate	Q <sub>c</sub>	L/h	10	16	16	25.6	25.2	40.32
Starting flow rate		L/h	2	2	3	3	5	5
Pressure Loss		bar	0.4	0.4	0.4	0.4	0.4	0.4
Overall length	L1*	mm	165	165	190	190	260	260
Overall length with coupling	L2	mm	255	255	290	290	376	376
Height	H1	mm	98	98	98	98	98	98
Height	H2	mm	138	138	138	138	138	138
Width	B	mm	88	88	88	88	88	88
Connection thread on meter		Inch	G ¾	G ¾	G 1	G 1	G 1 ¼	G 1 ¼
Connection thread of coupling		Inch	R ½	R ½	R ¾	R ¾	R 1	R 1

\* For other Q<sub>s</sub> and meter length, please check with our sales team whether it's available.

# U550

## Ultrasonic Water Meter



### FEATURES

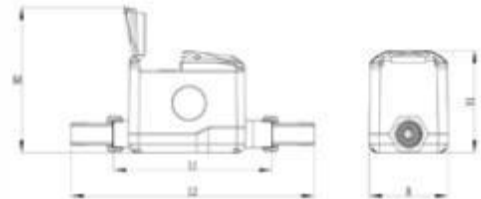
- DN 15 to 32, dynamic range optional 200/250/315/400
- IP 68 suitable for outdoor installations
- Integrated multi-communication: NB-IoT, wM-Bus, LoRaWAN, GPS, STS, Infrared
- NB-IoT and wM-Bus/LoRaWAN dual communication design
- Battery lifetime up to 15 years
- U0 / D0, easy to install



### GENERAL INFORMATION

U550 ULTRASONIC WATER METER	
Executive standards	ISO4064:2014, OIML R49:2013, EN14154:2005
Ambient operating temperature	°C -5 ~ 55
Medium temperature range	°C 0.1 ~ 50
Ambient humidity	RH 0 ~ 100 (at temperature 40° C)
Environmental class	O (Outdoors)
Meter body material	SS316L, Brass, Composite
Nominal pressure	MAP bar 16
Power supply	3.6V DC lithium batteries
Battery lifetime*	Up to 15 years
Communication Module	NB-IoT/wM-Bus/LoRaWAN/Infrared
Protection class	IP68
* Depends on local signal strength, configured online frequency each day and the ambient temperature at the installation.	

### DIMENSION



### TECHNICAL DATA

Model Name			U550-15K		U550-20K		U550-25K		U550-32K	
Nominal Diameter	DN	mm	15	15	20	20	25	25	32	32
Permanent flow rate	Q <sub>s</sub> *	m <sup>3</sup> /h	2.5	2.5	4.0	4.0	6.3	6.3	10	10
Minimum flow rate	Q <sub>i</sub>	L/h	6.25	10	10	16	15.75	25.2	25	40
Dynamic (Q <sub>s</sub> /Q <sub>i</sub> )	R		400	250	400	250	400	250	400	250
Overload flow rate	Q <sub>6</sub>	m <sup>3</sup> /h	3.125	3.125	5	5	7.875	7.875	12.5	12.5
Transitional flow rate	Q <sub>2</sub>	L/h	10	16	16	25.6	25.2	40.32	40	64
Starting flow rate		L/h	2	2	3	3	5	5	8	8
Pressure Loss		bar	0.4	0.4	0.4	0.4	0.4	0.4	0.4	0.4
Overall length	L1*	mm	165	165	190	190	260	260	260	260
Overall length with coupling	L2	mm	261	261	296	296	382	382	386	386
Height	H1	mm	123	123	123	123	127	127	136	136
Height	H2	mm	175	175	175	175	179	179	188	188
Width	B	mm	94.5	94.5	94.5	94.5	94.5	94.5	94.5	94.5
Connection thread on meter		Inch	G ¾	G ¾	G 1	G 1	G 1¼	G 1¼	G 1¼	G 1¼
Connection thread of coupling		Inch	R ½	R ½	R ¾	R ¾	R 1	R 1	R 1¼	R 1¼

\* For other Q<sub>s</sub> and meter length, please check with our sales team whether it's available.

# U550

## Ultrasonic Bulk Water Meter

### FEATURES

- Standard: OIML R49, MID, WRAS
- DN 40 to 300, dynamic range up to R400
- GPS function optional
- IP68 suitable for outdoor installations
- Remote meter reading via NB-IoT/wM-Bus/LoRaWAN/Infrared
- Display with error and alarm codes including leakage detection
- Battery lifetime up to 10 years
- U0 / D0, no need for calming sections



### GENERAL INFORMATION

U550 Ultrasonic Bulk Water Meter			
Temperature range	°C	0.1 ... +50	
Operating temperature	°C	-5 ... +55	
Storage temperature	°C	-5 ... +55 (>35 °C max. 4 weeks)	
Environmental class		O (Outdoors)	
Meter body material		SS304/SS316L	
Nominal pressure	MAP	bar	16
Power supply		3.6V DC lithium batteries	
Battery lifetime*		Up to 10 years	
Communication Module		NB-IoT, RS485	
Data storage		5 min flow data 31 days, daily data 365 days, monthly data 10 years, 300 recent error datas, 700 event datas.	
Protection class		IP68	

\* Depends on local signal strength, configured online frequency and the ambient temperature at the installation.

### TECHNICAL DATA DISPLAY

U550 Ultrasonic Bulk Water Meter	
Display indication	LCD, 9-digit, additional symbols/display counter/unit
Units displayed	Volume (m <sup>3</sup> + 1 decimal places)
Values displayed	Optional for: Display test - volume - battery lifetime - firmware version - software checksum - flow - current/continuous/historical error - alarm status - high resolution volume - due date - due date volume - display counter - low battery indication - leakage indication - metrological log access - radio signal ON/OFF - alarm indication - and more display loop options to choose from.

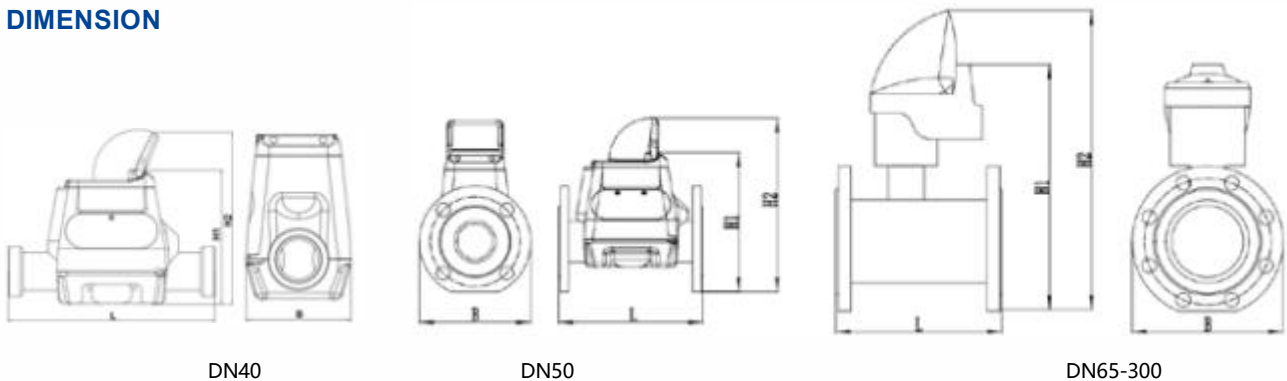
# 小 SANCHUAN



## TECHNICAL DATA

Model Name		U550-40K	U550-50K	U550-80K	U550-100K	U550-150K	U550-200K	U550-250K	U550-300K
Nominal Diameter	DN mm	40	50	80	100	150	200	250	300
Permanent flow rate	$Q_b$ m <sup>3</sup> /h	25	40	100	160	400	630	1000	1600
Minimum flow rate	$Q_i$ m <sup>3</sup> /h	0.0625	0.1	0.25	0.4	1.0	1.575	2.5	4
Dynamic ( $Q_b/Q_i$ )	R	400	400	400	400	400	400	400	400
Overload flow rate	$Q_d$ m <sup>3</sup> /h	31.25	50	125	200	500	787.5	1250	2000
Transitional flow rate	$Q_c$ m <sup>3</sup> /h	0.16	0.256	0.64	1.024	2.56	4.032	6.4	10.24
Pressure Loss	bar	0.4	0.25	0.1	0.1	0.1	0.1	0.1	0.1
Overall length	L mm	245	200	225	250	300	350	450	500
Height	H1 mm	160	190	320	340	400	450	510	560
Height	H2 mm	205	240	410	430	490	540	600	650
Width	B mm	102	155	200	220	285	340	405	460

## DIMENSION



DN40

DN50

DN65-300

# LXSZK

## Prepaid Card Water Meter



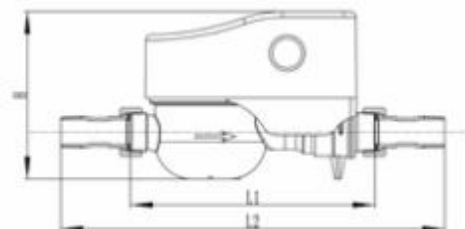
### FEATURES

- Alarm function: Insufficient balance, magnetic interference.
- Credit function: Users can overdraw part of their water bills
- Protect function: When subjected to magnetic interference, the water meter will shut down the valve
- Low battery indication: When the battery is run out , the valve will shut down

### GENERAL INFORMATION

LXSZK Prepaid Card Water Meter	
Temperature Level	T30/T50
Nominal pressure	bar 10
Accuracy class	2
Digital Indicating range	m <sup>3</sup> 0.1-99999.9
Working voltage	V 3.6V(ER18505 battery)
Static working current	μA <20
IC card service life	comply with SJ/T11166-1998
Usage condition	Indoor
Valve response time	s ≤ 13

### DIMENSION



### TECHNICAL DATA

Nominal Diameter	DN	mm	15	20	25
Model Name			LXSZK-15	LXSZK-20	LXSZK-25
Permanent flow rate	Q <sub>s</sub>	m <sup>3</sup> /h	2.5	4.0	6.3
Minimum flow rate	Q <sub>i</sub>	L/h	25	40	63
Dynamic (Q <sub>s</sub> /Q <sub>i</sub> )	R*		100	100	100
Overload flow rate	Q <sub>t</sub>	m <sup>3</sup> /h	3.125	5	7.875
Transitional flow rate	Q <sub>e</sub>	L/h	40	64	100.8
Meter Length	L1	mm	165	195	225
Meter Length with coupling	L2	mm	255	295	341
Connection thread		Inch	G ¾	G1	G1 ¼

\*The dynamic R is optional for R80/100.

# LXSFW-WC

## Non-magnetic Smart Water Meter



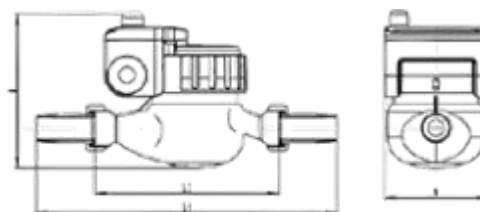
### FEATURES

- DN 15 to 25, dynamic range optional for R80/100/125/160
- Remote meter reading via NB-IoT, 4G Cat.1
- Retain mechanical readings and users can directly read water consumption

### GENERAL INFORMATION

LXSFW-WC Non-magnetic Smart Water Meter			
Temperature class		T30/T50 optional	
Ambient operating temperature	° C	5~55	
Electrical operating temperature	° C	-15~55	
Ambient humidity	RH	< 90%	
Housing material		SS304/SS316L/Brass/Composite optional	
Nominal pressure	MAP bar	10/16 optional	
Accuracy class		2	
Mechanical Indicating range	m <sup>3</sup>	0-99999.9999	

### DIMENSION



### TECHNICAL DATA

Nominal Diameter	DN	mm	15	15	20	20	25	25
Model Name			LXSFW-15		LXSFW-20		LXSFW-25	
Permanent flow rate	Q <sub>s</sub>	m <sup>3</sup> /h	2.5	2.5	4.0	4.0	6.3	6.3
Minimum flow rate	Q <sub>i</sub>	L/h	15.625	25	25	40	39.375	63
Dynamic (Q <sub>s</sub> /Q <sub>i</sub> )	R*		160	100	160	100	160	100
Overload flow rate	Q <sub>s</sub>	m <sup>3</sup> /h	3.125	3.125	5	5	7.875	7.875
Transitional flow rate	Q <sub>2</sub>	L/h	25	40	40	64	63	100.8
Overall length	L2	mm	165/100 ▲	165/100 ▲	195/100 ▲	195/100 ▲	225/110 ▲	225/110 ▲
L+unions	L1	mm	255/190 ▲	255/190 ▲	295/200 ▲	295/200 ▲	341/226 ▲	341/226 ▲
Connection thread		Inch	G ¾	G ¾	G1	G1	G1 ¼	G1 ¼

1. The dynamic R\* is optional for R80/100/125/160.  
2. The ▲ length is vertical type.

# LXSF-WC STS

## Prepaid Water Meter



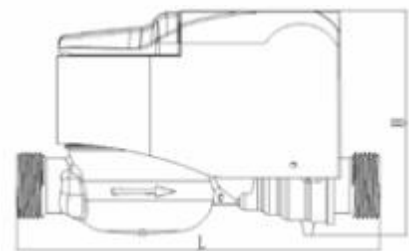
### FEATURES

- DN 15 to 25 Stainless Steel/Cast Iron
- 1L-level electronic precision
- Overdraft and accumulation limits can be configured
- 85 days of daily and 85 months of monthly records

### GENERAL INFORMATION

LXSF-WC STS Prepaid Water Meter			
Medium temperature range	°C	0.1 ... +50	
Ambient operating temperature	°C	-5 ... +50	
Ambient storage temperature	°C	-5 ... +50	
Environmental class		O (Outdoors)	
Meter body material		Stainless Steel	
Nominal pressure	MAP bar	16	
Register material		plastic	
Accuracy class		2	
Digital Indicating range	m <sup>3</sup>	0-99999.99	

### DIMENSION



### TECHNICAL DATA

Nominal Diameter	DN	mm	15	20	25
Model Name			LXSF-WC 15	LXSF-WC 20	LXSF-WC 25
Permanent flow rate	Q <sub>3</sub>	m <sup>3</sup> /h	2.5	4.0	6.3
Minimum flow rate	Q <sub>i</sub>	L/h	15.625	25	39.375
Dynamic (Q <sub>3</sub> /Q <sub>i</sub> )	R		160	160	160
Overload flow rate	Q <sub>4</sub>	m <sup>3</sup> /h	3.125	5	7.875
Transitional flow rate	Q <sub>2</sub>	L/h	25	40	63
Overall length	L	mm	165	195	225
Connection thread		Inch	G 3/4	G1	G1 1/4

# LXSG-E5

## Multi-Jet Dry Dial Water Meter



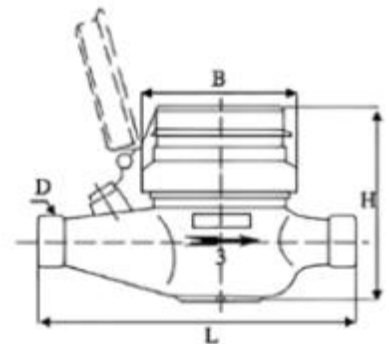
### FEATURES

- Dry dial, vacuum sealed to keep clean reading for long time
- Available for cold water 0-30° C and hot water 30-90° C
- Magnetic transmission, Antimagnetic type, 360° Rotating dial
- Remote transmission device can be added upon request
- Pulse output: 10L/pulse or 1L/pulse optional

### GENERAL INFORMATION

LXSG-E5 Multi-Jet Dry Dial Water Meter			
Accuracy Class			2
Maximum Permissible Error	$Q_1 \leq Q < Q_2$		$\pm 5\%$
Maximum Permissible Error	$Q_2 \leq Q \leq Q_4$		$\pm 2\%$ at $\leq 30^\circ \text{C}$ , $\pm 3\%$ at $> 30^\circ \text{C}$
Temperature Class			T30 and T50
Nominal Pressure	MAP	bar	16
Pressure Loss	$\Delta P$	bar	0.63
Indicating range		$\text{m}^3$	99999
Resolution of Indicating		$\text{m}^3$	0.00005
Flow Profile Sensitive Class			U0D0
Orientation Limitation			Horizontal

### DIMENSION



### TECHNICAL DATA

Nominal Diameter	DN	mm	15	15	20	20	25	25
Model Name			LXSG-15E5		LXSG-20E5		LXSG-25E5	
Permanent flow rate	$Q_3$	$\text{m}^3/\text{h}$	2.5	2.5	4.0	4.0	6.3	6.3
Minimum flow rate	$Q_1$	L/h	25	15.625	40	25	63	39.375
Dynamic ( $Q_3/Q_1$ )	R		100	160	100	160	100	160
Overload flow rate	$Q_4$	$\text{m}^3/\text{h}$	3.125	3.125	5	5	7.875	7.875
Transitional flow rate	$Q_2$	L/h	40	25	64	40	100.8	63
Overall length	L	mm	165	165	190	190	260	260
L+unions	L+u	mm	255	255	286	286	372	372
Connection thread		Inch	G $\frac{3}{4}$	G $\frac{3}{4}$	G1	G1	G1 $\frac{1}{4}$	G1 $\frac{1}{4}$

# HP5D

## Bulk Water Meter - Woltman Meter



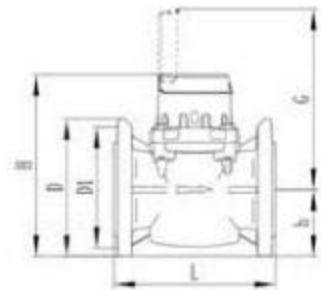
### FEATURES

- Standard: MID
- DN 40 to 300
- High-precision and Wide- range , range up to R200
- Wear resistance and long working life
- Easy to install anti-interference
- Low pressure loss and low power consumption
- IP68 Waterproof
- Communication: NB-IoT, Cat-1, Lorawan, PRC

### GENERAL INFORMATION

HP5D Bulk Water Meter - Woltman Meter			
Temperature range	° C	0.1 ... +50	
Operating temperature	° C	-5 ... +55	
Storage temperature	° C	-5 ... +55 (>35 ° C max. 4 weeks)	
Environmental class		O (Outdoors)	
Meter body material		Cast Iron QT450	
Nominal pressure	MAP	bar	16
Communication Module		NB-IoT - RS485 - Pulse output	

### DIMENSION



### TECHNICAL DATA

Nominal Diameter	DN	mm	40	50	65	80	100	150	200	250	300
Permanent flow rate	$Q_b$	m <sup>3</sup> /h	63	63	63	100	160	400	630	1000	1600
Minimum flow rate	$Q_i$	m <sup>3</sup> /h	0.315	0.315	0.315	0.5	0.8	2.00	3.15	5	8
Dynamic ( $Q_b/Q_i$ )	R		200	200	200	200	200	200	200	200	200
Overload flow rate	$Q_4$	m <sup>3</sup> /h	78.75	78.75	78.75	125	200	500	787.5	1250	2000
Transitional flow rate	$Q_2$	m <sup>3</sup> /h	0.504	0.504	0.504	0.8	1.28	3.2	5.04	8	12.8
Max. Pressure Loss		bar	0.16	0.22	0.068	0.18	0.24	0.15	0.12	0.14	0.36
Overall length	L	mm	300	200	200	200	250	300	350	450	500
Flange Connection		mm	151	166	185	200	220	285	340	405	460
Height	H	mm	220	220	220	247	259	335	387	438	465

# H4200

## Bulk Water Meter - Woltman Meter



### FEATURES

- Standard: ISO4064
- DN 40 to 200
- High-precision and Wide-range , dynamic range up to R 200
- Wear resistance and long working life
- Easy to install anti-interference
- IP68 Waterproof
- Communication: NB-IoT, Cat-1, Lorawan, PRC

### GENERAL INFORMATION

H4200 Bulk Water Meter - Woltman Meter			
Temperature range	° C		0.1 ... +50
Operating temperature	° C		-5 ... +55
Storage temperature	° C		-5 ... +55 (>35 ° C max. 4 weeks)
Environmental class			O (Outdoors)
Meter body material			Cast Iron QT450
Nominal pressure	MAP	bar	16
Communication Module			NB-IoT - GPRS - Pulse output

### TECHNICAL DATA

Nominal Diameter	DN	mm	50	65	80	100	150	200
Permanent flow rate	$Q_3$	m <sup>3</sup> /h	40	40	63	100	250	400
Minimum flow rate	$Q_1$	m <sup>3</sup> /h	0.2	0.2	0.315	0.5	1.25	2
Dynamic ( $Q_3/Q_1$ )	R		200	200	200	200	200	200
Overload flow rate	$Q_4$	m <sup>3</sup> /h	50	50	78.75	125	312.5	500
Transitional flow rate	$Q_2$	m <sup>3</sup> /h	0.32	0.32	0.504	0.8	2	3.2
Max. Pressure Loss		bar	0.63	0.63	0.63	0.63	0.63	0.63
Overall length	L	mm	280	300	370	370	500	500
Flange Outside Diameter	D	mm	165	185	200	220	285	340
Height	H	mm	228	238	290	306	445	564

# LXH

## Rotary Piston Water Meter - Volumetric Meter



### FEATURES

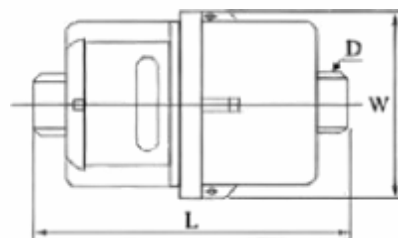
- Class Metrology:  $\leq R315$  in any position
- Mechanical transmission
- Direct reading on 8 numeric protected rolls
- Available for cold water  $0.1^{\circ}C - 30^{\circ}C$
- Water pressure:  $\leq 1.6\text{Mpa}$
- Reed switch option



### GENERAL INFORMATION

LXH Rotary Piston Water Meter		
Medium temperature range	$^{\circ}C$	0.1 ... +30
Ambient operating temperature	$^{\circ}C$	-5 ... +30
Ambient storage temperature	$^{\circ}C$	-5 ... +30
Environmental class		O (Outdoors)
Meter body material		Brass
Accuracy class		2
Indicating range	$m^3$	9999.9999

### DIMENSION



### TECHNICAL DATA

Nominal Diameter	DN	mm	15	15	20	20
Model Name			LXH-15		LXH-20	
Permanent flow rate	$Q_3$	$m^3/h$	2.5	2.5	4.0	4.0
Minimum flow rate	$Q_1$	L/h	31.25	15.625	50	25
Dynamic ( $Q_3/Q_1$ )	R		100	160	100	160
Overload flow rate	$Q_4$	$m^3/h$	3.125	3.125	5	5
Transitional flow rate	$Q_2$	L/h	50	25	80	40
Overall length	L	mm	115	115	165/190	165/190
Width	W	mm	90	90	90	90

# Remote Reading Module for Volumetric Water Meter



## FEATURES

- Compatible with volumetric water meter
- IP68 protection level
- 10 years battery life
- Optional communication module NB-IoT/LoRaWAN/wM-Bus

## GENERAL INFORMATION

Remote Reading Module for Volumetric Water Meter		
Medium Temperature range	° C	0.1 ... +50
Operating temperature	° C	-5 ... +55
Storage temperature	° C	-5 ... +55 (>35 ° C max. 4 weeks)
Environmental class		O (Outdoors)
Module material		Composite material
Communication Module		NB-IoT/LoRaWAN/wM-Bus

# E550

## Electromagnetic Water Meter



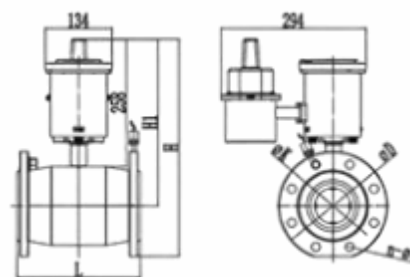
### FEATURES

- DN 40 to 300, dynamic range up to R400
- Ultra-low pressure loss
- IP68 protection level
- Wide measuring range and ultra-low starting flow
- Optional pressure detection
- IP68 Waterproof
- Communication: NB-IoT, Cat1, RS485, Pulse Output

### GENERAL INFORMATION

E550 Electromagnetic Water Meter	
Temperature range	° C 0.1 ... +50
Operating temperature	° C -5 ... +55
Storage temperature	° C -5 ... +55 (>35 ° C max. 4 weeks)
Environmental class	O (Outdoors)
Meter body material	Stainless Steel
Nominal pressure	MAP bar 16
Communication Module	NB-IoT - 4G - RS485

### DIMENSION



### TECHNICAL DATA

Nominal Diameter	DN	mm	40	50	80	100	150	200	250	300
Permanent flow rate	$Q_3$	m <sup>3</sup> /h	25	40	100	160	400	630	1000	1600
Minimum flow rate	$Q_1$	m <sup>3</sup> /h	0.0625	0.1	0.25	0.4	1.0	1.575	2.5	4
Dynamic ( $Q_3/Q_1$ )	R		400	400	400	400	400	400	400	400
Overload flow rate	$Q_4$	m <sup>3</sup> /h	31.25	50	125	200	500	787.5	1250	2000
Transitional flow rate	$Q_2$	m <sup>3</sup> /h	0.16	0.256	0.64	1.024	2.56	4.032	6.4	10.08
Pressure Loss		bar	0.25	0.25	0.25	0.25	0.25	0.25	0.25	0.25
Overall length	L	mm	200	200	200	250	300	350	450	500
Flange Connection	D	mm	150	165	200	220	285	340	395	445
Height	H	mm	386	391	411	431	488	541	601	648

# SANCHUAN'S CASE



## YINGTAN SMART WATER PROJECT, CHINA

Sanchuan deployed NB-IoT smart meters (189,000 units) and intelligent water services in Yingtan, serving 1.14 million residents. The project enhanced digital billing, precise leakage control, and grid efficiency. Smart meter coverage increased from 70,000 to 189,000 units, reducing leakage from 20% to 11% and non-revenue water from 18% to 8.5%. User satisfaction improved from 80% to 99.5%.

# 189,000

Sanchuan deployed NB-IoT smart meters and intelligent water services.



# 小 SANCHUAN



## SHENYANG SMART METERING UPGRADE

In Liaoning Province, Sanchuan supplied 330,000 NB-IoT meters to optimize water management. The project improved leakage detection, billing accuracy, and customer service. Leakage rate dropped from 14.72% to 8.49%; Non-revenue water reduced from 34.18% to 12.03%; billing success rose to 99.5%. Intelligent management and dynamic data analysis were also introduced.

# 330,000

Sanchuan supplied NB-IoT meters.



## TIANJIN METER REPLACEMENT PROGRAM

Sanchuan provided 1.9 million NB-IoT smart meters for Tianjin, targeting 13.64 million residents. Smart coverage rose from 180,000 to 4 million units. Leakage reduced from 26% to 9.2%, and non-revenue water rate reduced from 40% to 19.2%. Customer satisfaction and billing success reached 99.9%.

# 1.9 Million

Sanchuan provided NB-IoT smart meters.



## SHANGHAI SMART METER RETROFIT

Shanghai upgraded 580,000 water meters to Sanchuan NB-IoT smart meters. The initiative improved metering accuracy and user service. Leakage rate dropped from 11.13% to 7.4%. Coverage increased from 2.96 to 5.82 million units, with billing success reaching 99.9%.

# 580,000

Shanghai upgraded water meters to NB-IoT smart meters.



## BEIJING WATER INTELLIGENCE PROJECT

For a user base of 21.83 million, Sanchuan delivered 800,000 NB-IoT meters. The project reduced leakage from 9.85% to 8.44%, and non-revenue water from 10% to 7%. Smart water coverage rose from 130,000 to 4.4 million units.

# 800,000

Sanchuan delivered NB-IoT meters.

# SMART WATER METER APPLICATION SCHEME



**SANCHUAN WISDOM TECHNOLOGY CO., LTD.**

Sanchuan Hydraulic Industrial Park, Longgang Section,  
Hi-Tech Development Zone, Yingtan, Jiangxi, China.

Post Code: 335000

Tel: +86-0701-6318088

Email: overseas@ytsanchuan.com

[www.sanchuanwatermeter.com](http://www.sanchuanwatermeter.com)



Please scan the QR code,  
Follow the official WeChat account of  
Sanchuan Wisdom Technology Co., Ltd.